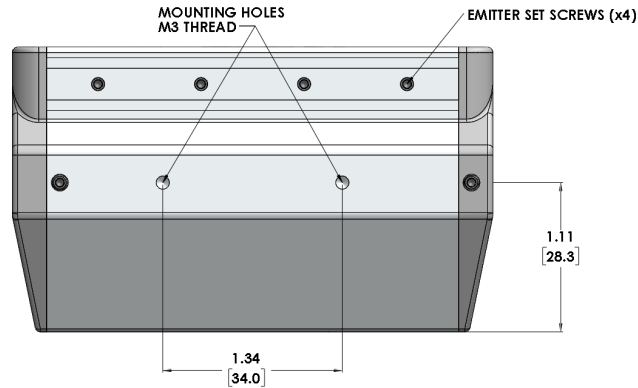


# QX4 Linear Array

## Assembly and Setup Instructions

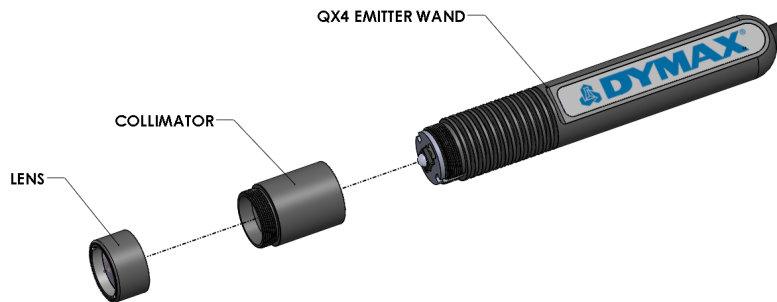
1. Locate the 2 threaded mounting holes (on either front or back). Secure the Array to the Dymax Emitter Mounting Stand (P/N 43090), or alternative customer designed / supplied fixture, and position as required for the application. Insure that mounting does not restrict access to the 4 emitter set screws, as these only appear on one side of the unit.



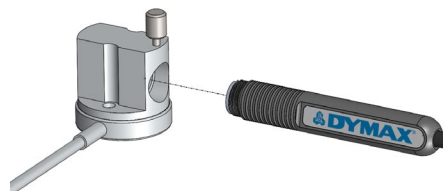
*Dimensions for alternative mounting configurations*

2. Remove the collimator and focusing lens from each of the QX4 wands to be used. Be sure to remove both the collimator AND lens. Performance will be severely limited if the collimator is not removed.

*\*Take care during steps 2, 3, & 4, as the LED is fully exposed and can easily be damaged by mishandling.*

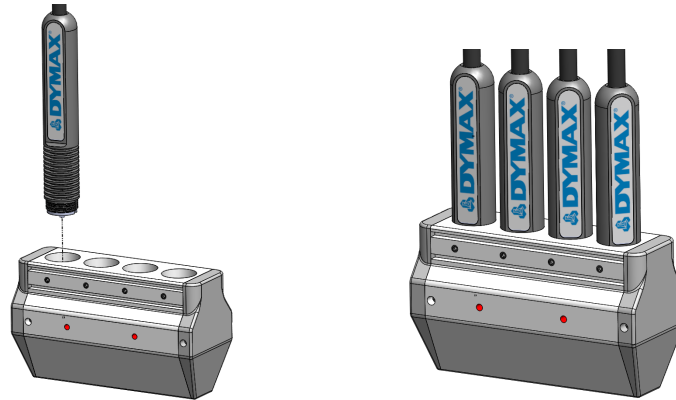


3. For optimal performance, the wands should be balanced for intensity output prior to use in the Array.
  - a. Connect each of the 4 wands to a QX4 controller and set to 100% power output.
  - b. Using the Accu-cal 50-LED radiometer (P/N 40505) w/QX4 Adapter (P/N 42218); insert the wand until it is fully seated. Tighten set screw.

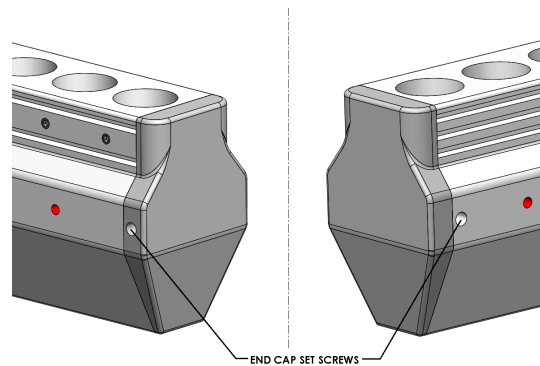


- c. With the optometer set to 'FLOOD' mode, measure and record the 'INTENSITY' for each wand.
  - d. Select the lowest output wand and set to the side. This is the 'Reference Intensity'.

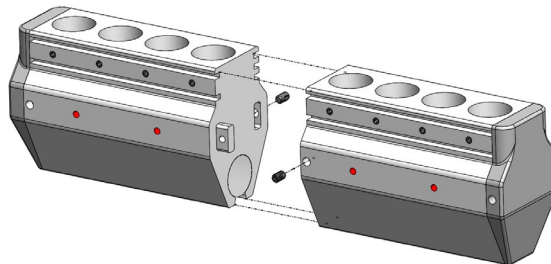
- e. For each of the remaining 3 wands, insert in to the radiometer adapter and tighten set screw. Using the optometer to monitor 'INTENSITY', reduce the power level for that wand channel until the 'Reference Intensity' is reached.
4. Using the enclosed hex key, loosen the 4 emitter set screws, then insert one wand into each of the 4 holes on the top of the Array until fully seated, then tighten the corresponding set screw. Repeat for all 4 wands.



5. Further information regarding the use of this system can be found in the following:
  - BlueWave® QX4® User Guide (MAN075)
6. If desired, multiple array's can be coupled together, allowing the user to create longer linear emission areas.
  - a. Place array's to be coupled on a clean, flat work surface. Make sure that the wand set screws are facing opposite directions. Remove the adjacent end caps from each array by removing two of the end cap set screws from each array. Note: The optics used in this accessory are secured by the end caps, so care must be taken that they remain in place during this step.



- b. With end caps removed, mate the two units and reinsert 2 of the set screws



© 2019 Dymax Corporation. All rights reserved. All trademarks in this guide, except where noted, are the property of, or used under license by Dymax Corporation, U.S.A.

Please note that most dispensing and curing system applications are unique. Dymax does not warrant the fitness of the product for the intended application. Any warranty applicable to the product, its application and use is strictly limited to that contained in Dymax's standard Conditions of Sale. Dymax recommends that any intended application be evaluated and tested by the user to ensure that desired performance criteria are satisfied. Dymax is willing to assist users in their performance testing and evaluation by offering equipment trial rental and leasing programs to assist in such testing and evaluations. Data sheets are available for valve controllers or pressure pots upon request. 11/2/2018 QS088

**Dymax Corporation**  
860.482.1010 | info@dymax.com | [www.dymax.com](http://www.dymax.com)

**Dymax Europe GmbH**  
+49 (0) 611.962.7900 | info\_de@dymax.com | [www.dymax.de](http://www.dymax.de)

**Dymax Engineering Adhesives Ireland Ltd.**  
+353.1.231.4696 | info\_ie@dymax.com | [www.dymax.com](http://www.dymax.com)

**Dymax Oligomers & Coatings**  
860.626.7006 | info\_oc@dymax.com | [www.dymax-oc.com](http://www.dymax-oc.com)

**Dymax UV Adhesives & Equipment (Shanghai) Co. Ltd.**  
+86.21.37285759 | dymaxasia@dymax.com | [www.dymax.com.cn](http://www.dymax.com.cn)

**Dymax UV Adhesives & Equipment (Shenzhen) Co. Ltd.**  
+86.755.83485759 | dymaxasia@dymax.com | [www.dymax.com.cn](http://www.dymax.com.cn)

**Dymax Asia (H.K.) Limited**  
+852.2460.7038 | dymaxasia@dymax.com | [www.dymax.com.cn](http://www.dymax.com.cn)

**Dymax Asia Pacific Pte. Ltd.**  
+65.6752.2887 | info\_ap@dymax.com | [www.dymax-ap.com](http://www.dymax-ap.com)

**Dymax Korea LLC**  
+82.2.784.3434 | info\_kr@dymax.com | [www.dymax.com/kr](http://www.dymax.com/kr)