



LAMP REPLACEMENT PROCEDURE

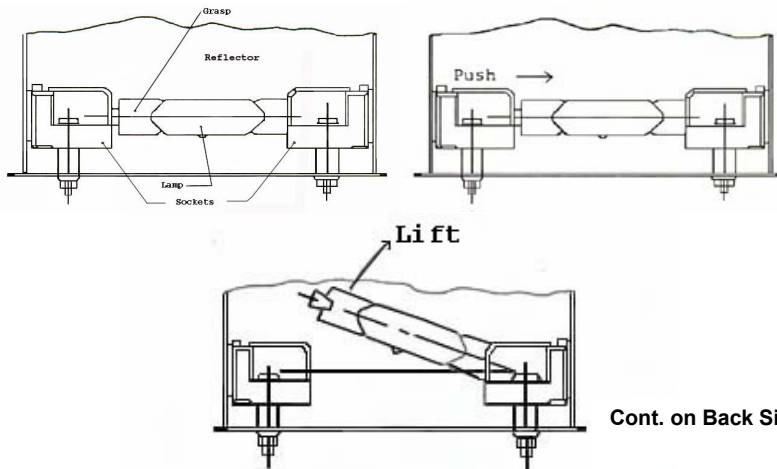
Every new 400-Watt EC-Series UV light source is supplied with a new lamp. When the lamp requires replacement, the following procedure must be followed.

1. Turn the power switch OFF.
2. Disconnect the power supply from the electrical power source.
3. Allow the lamp to cool.

WARNING: THE LAMP OPERATES AT TEMPERATURES EXCEEDING 500 DEGREES CELSIUS (C). TOUCHING THE LAMP BEFORE SUFFICIENT COOL DOWN TIME IS ALLOWED WILL CAUSE SEVERE BURNS.

CAUTION: ALWAYS WEAR SAFETY EYE WEAR WHILE REPLACING LAMP!

4. Hold the lamp/reflector assembly housing securely and loosen thumbscrew on the lamp/reflector assembly-housing bracket. Lift the housing off the mounting stand and place upside down on a clean work surface.
5. Remove the glass filter (on 2000-EC) by removing one retaining strap held by two (2) 8-32 x 3/8" button head screws with 3/32 hex wrench. Loosen the two (2) 8-32 x 3/8" button head screws in the remaining strap so that the filter glass can slide out.
6. Reach into the reflector and GRASP the flat area of lamp, at either end.



CAUTION: ALWAYS USE A SOFT, CLEAN RAG, CLEAN PAPER TOWEL OR GLOVES WHEN HANDLING THE LAMP. SKIN OILS LEFT ON THE LAMP WILL BURN INTO THE QUARTZ, REDUCING OUTPUT INTENSITY. IF THE LAMP IS INADVERTENTLY TOUCHED, CLEAN LAMP THOROUGHLY WITH A SOFT CLEAN RAG AND ALCOHOL. LAMP CONTAINS A SMALL AMOUNT OF MERCURY. DISPOSE OF ONLY ACCORDING TO ALL LOCAL, STATE, AND FEDERAL REQUIREMENTS.

7. PUSH lightly on the lamp toward the socket on the opposite end of the lamp so that the end being grasped can be LIFTED clear of the socket as shown below.
8. INSTALL THE NEW LAMP by repeating steps 5, 6 and 7 in reverse order.

IMPORTANT: Install the lamp such that the seal dimple on the bulge of the glass is facing towards the reflector surface. Avoid touching the quartz tube with your fingers.

NOTE: LAMP HAS NO POLARITY

9. Record the serial number of the unit and the hour-meter reading in the Bulb History Record.
10. Replace the lamp/reflector assembly housing on the mounting stand by engaging the mounting bracket.
11. Secure the thumbscrew when the lamp/reflector assembly housing is at the proper height.
12. Reconnect the power cord to the appropriate power source.
13. Turn the Power Switch to "ON" position and allow at least 5 minutes for lamp to warm up before using.

In Case of Lamp Burst: To prevent inhaling the mercury fumes, leave the burst site immediately and ventilate the area or the room for at least 30 minutes. After the lamp and lamp house have cooled down, remove mercury using a special absorptive agent available from laboratory equipment suppliers.



DYMAX Corporation - 318 Industrial Lane - Torrington, CT 06790 - Phone: 860.482.1010 - Fax: 860.496.0608 - E-mail: info@dymax.com - www.dymax.com

DYMAX Europe GmbH - Kasteler Strasse 45 - Building G 359 - 65203 Wiesbaden, Germany - Phone: +49 (0) 611.962.7900 - Fax: +49 (0) 611.962.9440 - E-mail: info_de@dymax.com - www.dymax.de

DYMAX UV Adhesives & Equipment (S.Z.) Co Ltd - Room 617 & 618, South Tower, Cangsong Building, Terra 6th Road, Futian District, Shenzhen, China 518040 - Phone: +86.755.83485759 - Fax: +86.755.83485760 - E-mail: dymaxasia@dymax.com - www.dymax.com.cn

DYMAX Asia (H.K.) Ltd - Flat B, 9/F, Yeung Yiu Chung (No. 8) Ind. Bldg., No. 20 Wang Hoi Road, Kowloon Bay, Kowloon, Hong Kong - Phone: +852.2460.7038 - Fax: +852.2460.7017 - E-mail: dymaxasia@dymax.com - www.dymax.com.cn

DYMAX Korea LLC - #903, CCMM B/D, 12 Yeoido-Dong, Youngdungpo-Gu, Seoul, Korea, 150-869 - Phone: 82.2.784.3434 - Fax: 82.2.784.5775 - E-mail: info@dymax.kr - www.dymax.co.kr